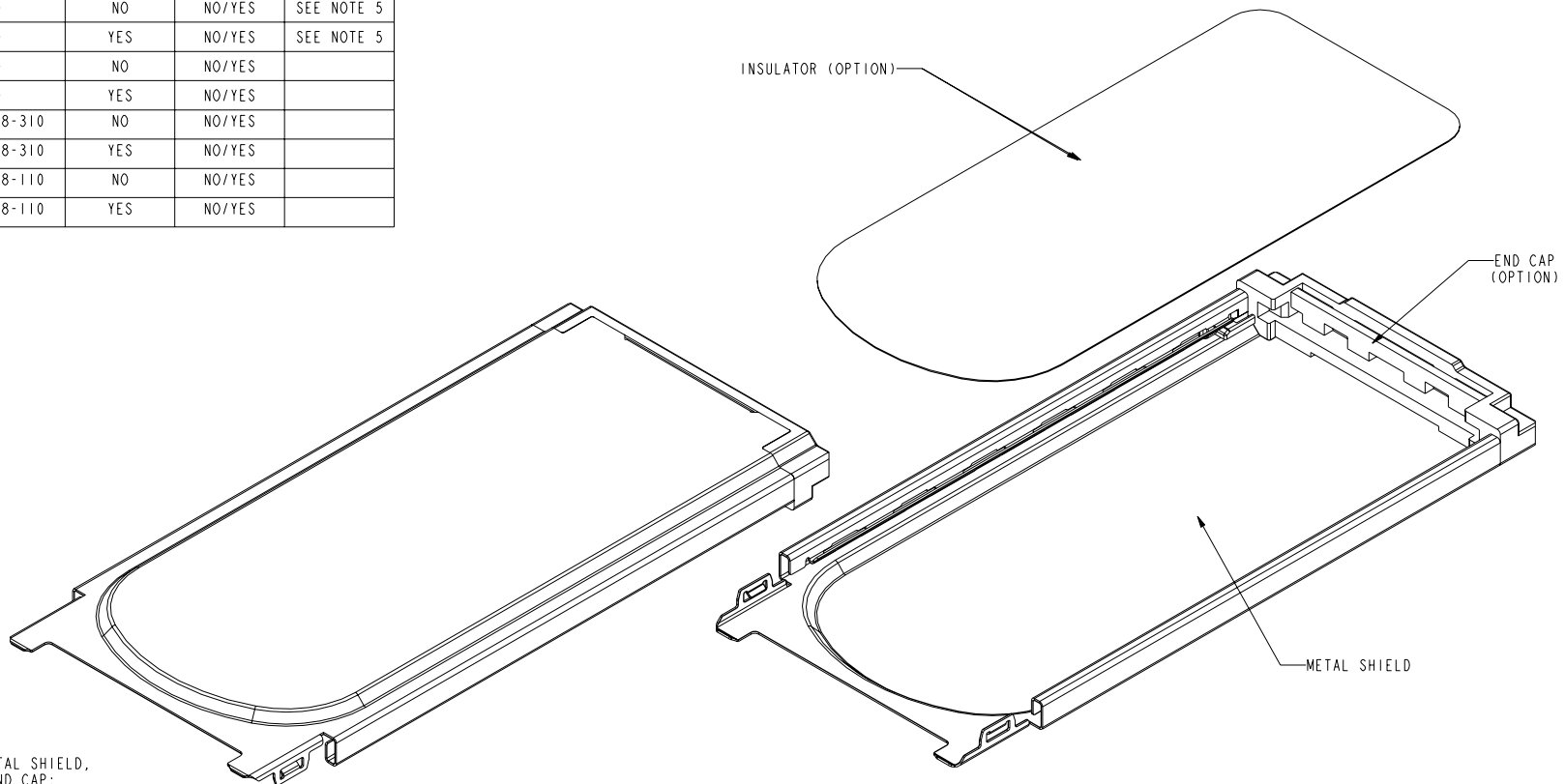


PRODUCT NO.	END CAP	INSULATOR	RECESS	REMARK
10030574-2100LF/2100RLF	10030578-210	NO	NO/YES	
10030574-2101LF/2101RLF	10030578-210	YES	NO/YES	
10030574-0000LF/0000RLF	NO	NO	NO/YES	SEE NOTE 5
10030574-0001LF/0001RLF	NO	YES	NO/YES	SEE NOTE 5
10030574-0010LF/0010RLF	NO	NO	NO/YES	
10030574-0011LF/0011RLF	NO	YES	NO/YES	
10030574-3100LF/3100RLF	10030578-310	NO	NO/YES	
10030574-3101LF/3101RLF	10030578-310	YES	NO/YES	
10030574-1100LF/1100RLF	10030578-110	NO	NO/YES	
10030574-1101LF/1101RLF	10030578-110	YES	NO/YES	



NOTES:

- THIS PRODUCT CONTAINS ONE METAL SHIELD, INSULATOR AND ONE PLASTIC END CAP;
- PRODUCT PERFORMANCE REFER TO GS-12-292;
- PART NUMBER SCHEME:

10030574- X X X X R L F

- WITH RECESS FEATURE
- INSULATOR: 0: NO, 1: YES
- 0: STANDARD SHIELD
- 1: EXTENDED SHIELD
- PLASTIC COLOR
- 0: W/O END CAP
- 1: BLACK
- OFFSET (END CAP)
- 0: W/O END CAP
- 1: +0.00
- 2: +0.30
- 3: +0.60

- PACKAGING SPECIFICATION REFER TO GS-14-927;
- THE P/N IS TEMPORARY FOR CUSTOMER SPECIAL REQUEST, MATING WITH END CAP IS THE RECOMMENDED PARTS;
- THIS PRODUCT IS RoHS COMPLIANT, AND MEETS EUROPEAN UNION DIRECTIVES AND OTHER COUNTRY REGULATIONS AS PER GS-22-008;
- DATE CODE FORMATE: WWYY (WEEK YEAR), FOR EXAMPLE, 2207 MEANS WEEK 22 AND YEAR 2007.

rev	ecn no	dr	date
H	N07-0201	MSH	2007-08-28
J	N08-0247	R.B	2008/11/12
-	-	-	-
-	-	-	-

www.fciconnect.com		surface <input checked="" type="checkbox"/>	tolerance std	projection	MM
		TOLERANCES UNLESS OTHERWISE SPECIFIED			
Dr	DAVID TENG	2004-10-04	ANGULAR	size	A4
Eng	DAVID TENG	2004-10-04	LINEAR	Scale	1.000
Chr	PAUL WANG	2004-10-04	0° ±2°	ECN	N08-0247
Appr	JOSEPH HSIA	2004-10-04	Product family		Spec ref
		title		dwg no	Rev.
		BOTTOM SHIELD SUB-ASSEMBLY		10030574	J
		EXPRESSCARD/34 MODULE CARD KIT			
		catalog no	10030574	CUSTOMER	sheet 1 of 4

Copyright FCI.

PRODUCT NO.  
10030574-210XLF

A

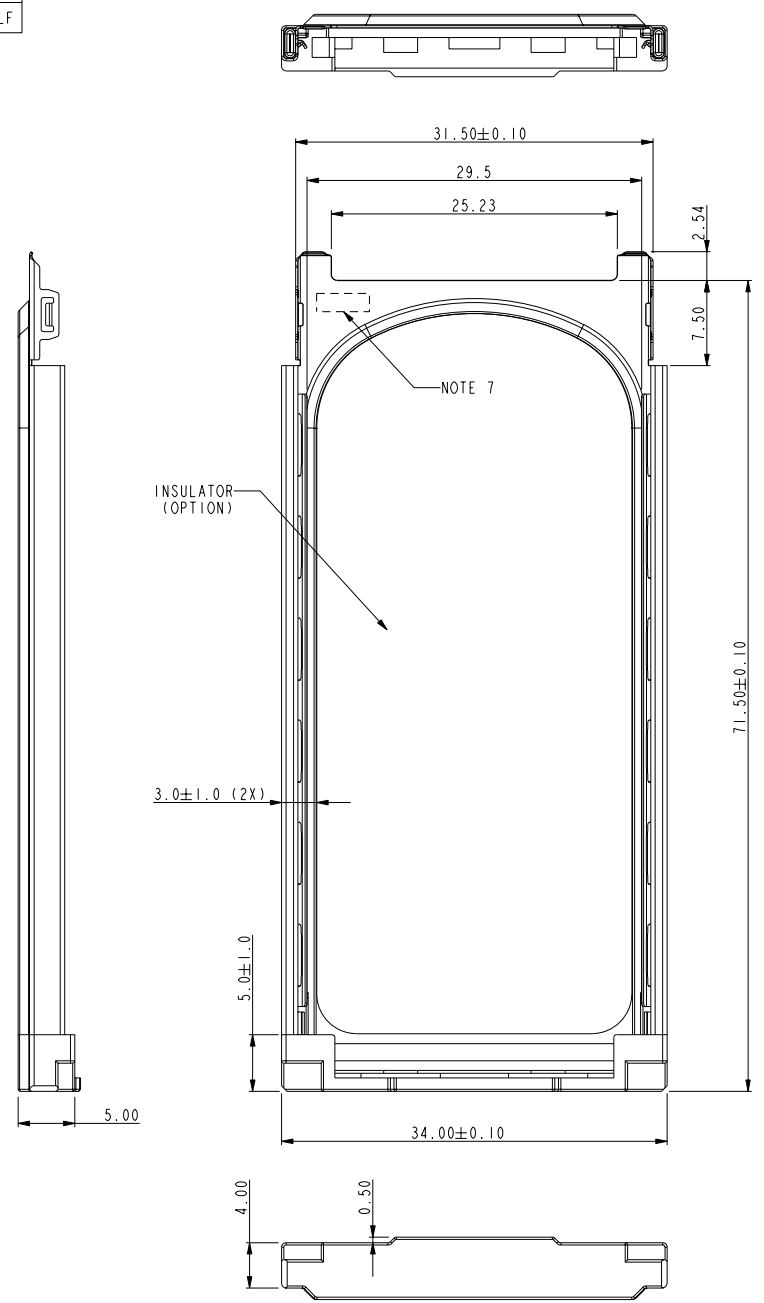
B

C

D

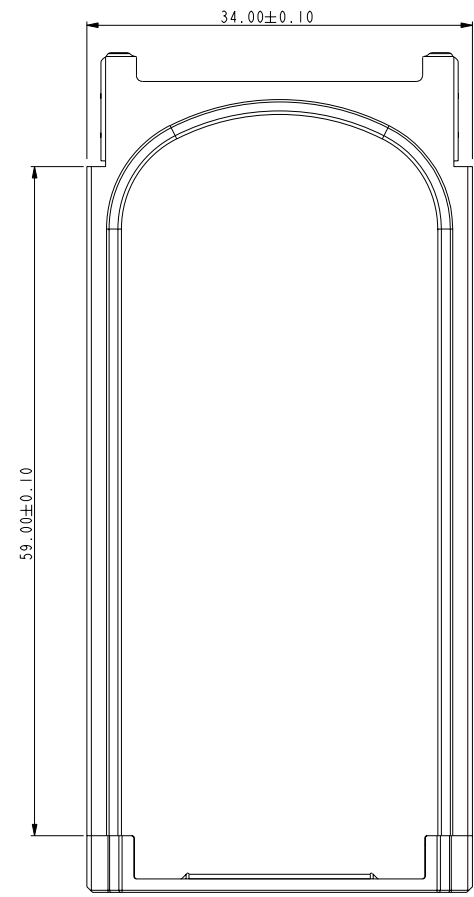
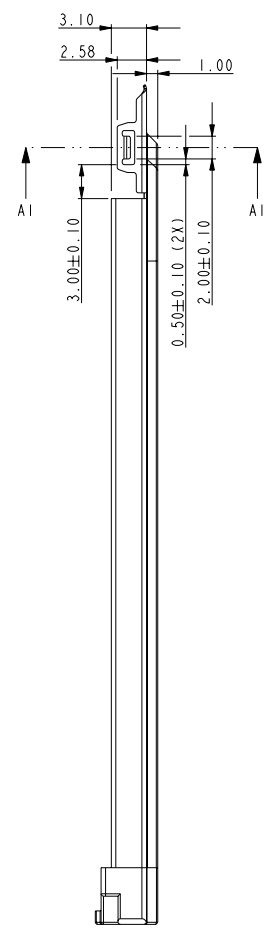
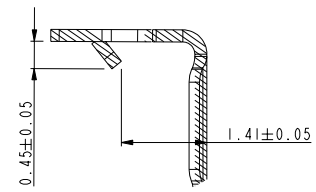


Copyright FCI.



SCALE 1.500

3



www.fciconnect.com			surface <input checked="" type="checkbox"/>	tolerance std	projection	MM	
			TOLERANCES UNLESS OTHERWISE SPECIFIED		← →		
Dr	DAVID TENG	2004-10-04	ANGULAR	LINEAR	0.X	±0.30	size A4
Eng	DAVID TENG	2004-10-04			0.XX	±0.15	
Chr	PAUL WANG	2004-10-04	0°	±2°	0.XXX	±0.08	ECN N08-0247
Appr	JOSEPH HSIA	2004-10-04	Product family			Spec ref	
		title BOTTOM SHIELD SUB-ASSEMBLY EXPRESSCARD/34 MODULE CARD KIT		dwg no 10030574		Rev. J	
catalog no 10030574		CUSTOMER		sheet 2 of 4			

REV F - 2006-04-11

3 PDM: Rev:J

STATUS: Released

4 Printed: Nov 17, 2008

1

2

3

4

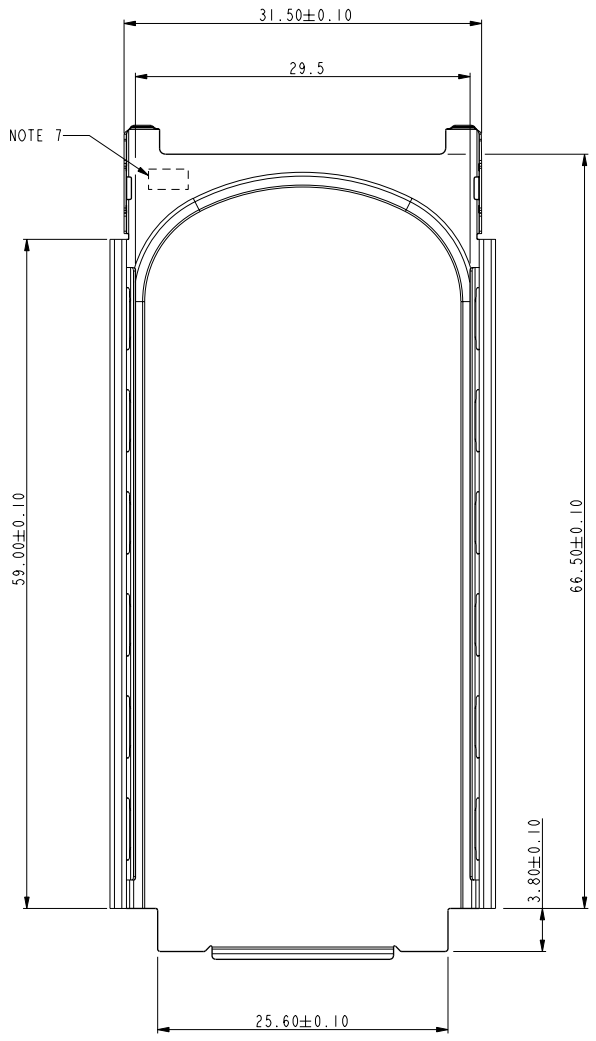
PRODUCT NO.
10030574-000XLF
10030574-001XLF

A

B

C

D



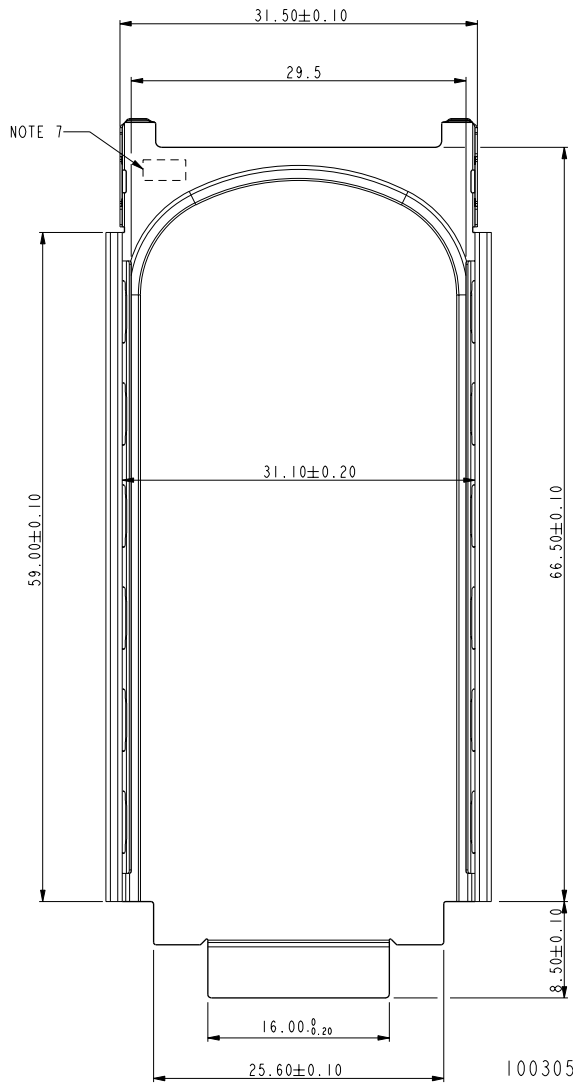
10030574-000XLF

A

B

C

D



10030574-001XLF



Copyright FCI.

www.fciconnect.com			surface <input checked="" type="checkbox"/>	tolerance std	projection	MM		
TOLERANCES UNLESS OTHERWISE SPECIFIED								
Dr	DAVID TENG	2004-10-04	ANGULAR	LINEAR	0.X	±0.30	size A4	Scale 1.000
Eng	DAVID TENG	2004-10-04			0.XX	±0.15		
Chr	PAUL WANG	2004-10-04			0°	±2°		
Appr	JOSEPH HSIA	2004-10-04	Product family			Spec ref		
		title BOTTOM SHIELD SUB-ASSEMBLY EXPRESSCARD/34 MODULE CARD KIT		dwg no 10030574		Rev. J		
catalog no 10030574		CUSTOMER		sheet 3 of 4				

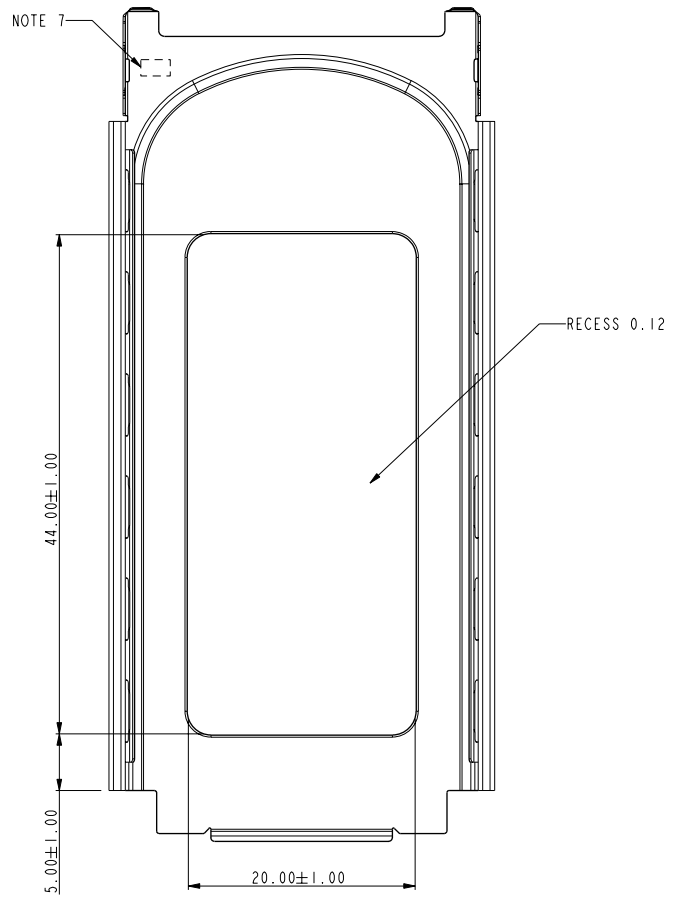
1

2

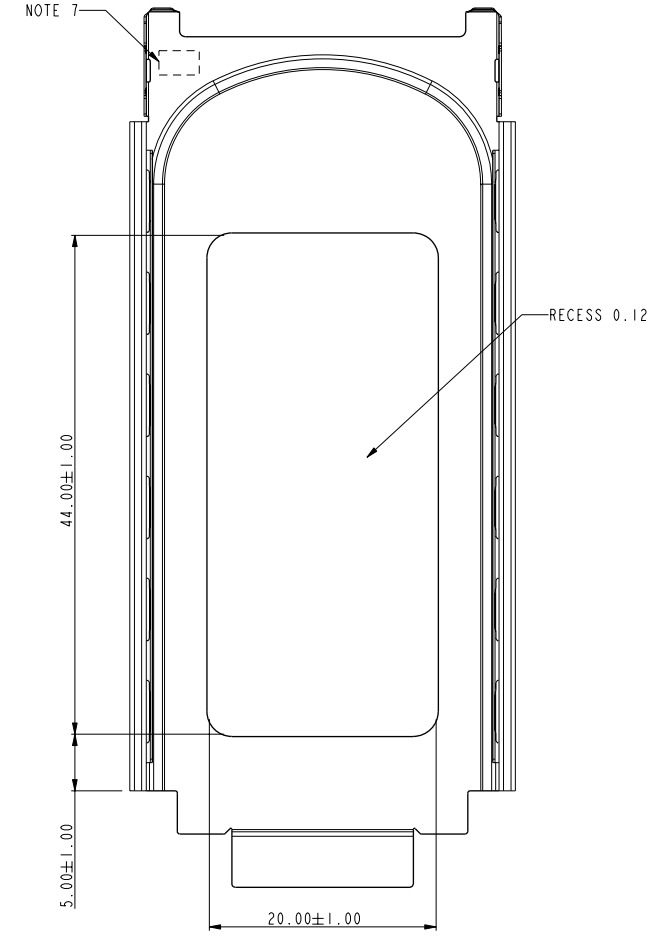
3

4

PART NUMBER
10030574-000XRLF
10030574-001XRLF



10030574-000XRLF  
 ALL FEATURE DIMENSIONS ARE SAME AS 10030574-000XLF  
 EXCEPT THE RECESS FEATURE



10030574-001XRLF  
 ALL FEATURE DIMENSIONS ARE SAME AS 10030574-001XLF  
 EXCEPT THE RECESS FEATURE



Copyright FCI.

www.fciconnect.com			surface	<input checked="" type="checkbox"/>	tolerance std	projection	MM	
			TOLERANCES UNLESS OTHERWISE SPECIFIED					
Dr	DAVID TENG	2004-10-04	ANGULAR	LINEAR	0.X	±0.30	size A4	Scale 1.000
Eng	DAVID TENG	2004-10-04			0.XX	±0.15		
Chr	PAUL WANG	2004-10-04	0°	±2°	0.XXX	±0.08	ECN	N08-0247
Appr	JOSEPH HSIA	2004-10-04	Product family			Spec ref		
			title BOTTOM SHIELD SUB-ASSEMBLY EXPRESSCARD/34 MODULE CARD KIT		dwg no 10030574		Rev. J	
			catalog no		10030574		CUSTOMER sheet 4 of 4	

2

3 PDM: Rev:J

STATUS: Released

4 Printed: Nov 17, 2008